

SPOT HOOK SMALL



NOBLE & WOOD
CRAFTED MODERNISM

Workshop 4
Oakside Farm workshops
NR1 2XA

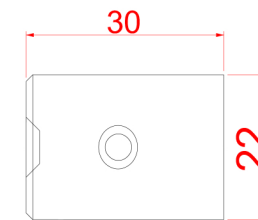
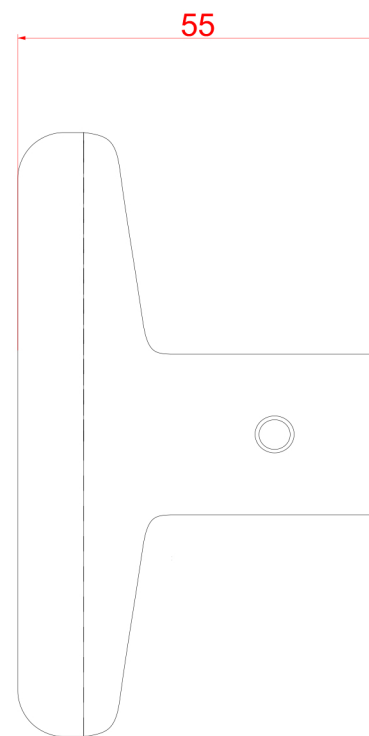
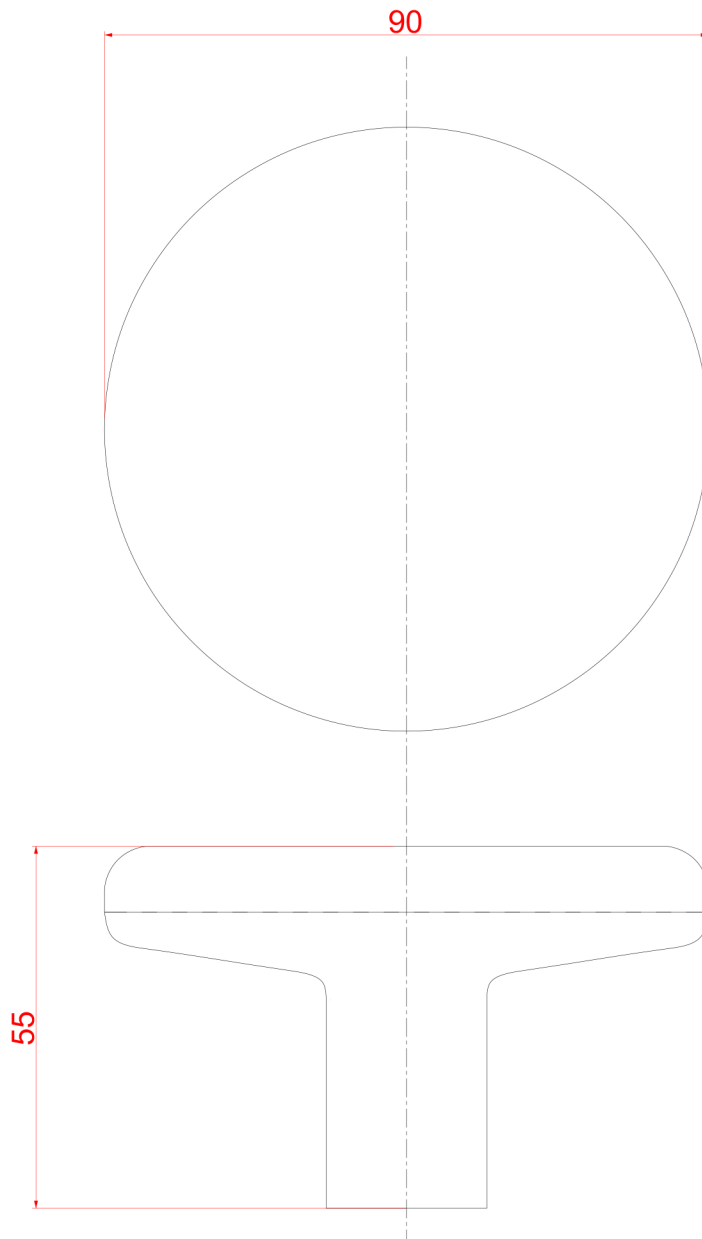
Designed by:
Paul Blease

Design Date:
16/04/2013

Scale:

Materials:
Zinc alloy plated and
lacquered, leather/COM

Noble & Wood Ltd
www.nobleandwood.com
info@nobleandwood.com



SPOT HOOK LARGE



NOBLE & WOOD
CRAFTED MODERNISM

Workshop 4
Oakside Farm workshops
NR1 2XA

Designed by:
Paul Blease

Design Date:
16/04/2013

Scale:

Materials:
Zinc alloy plated and
lacquered, leather/COM

Noble & Wood Ltd
www.nobleandwood.com
info@nobleandwood.com

